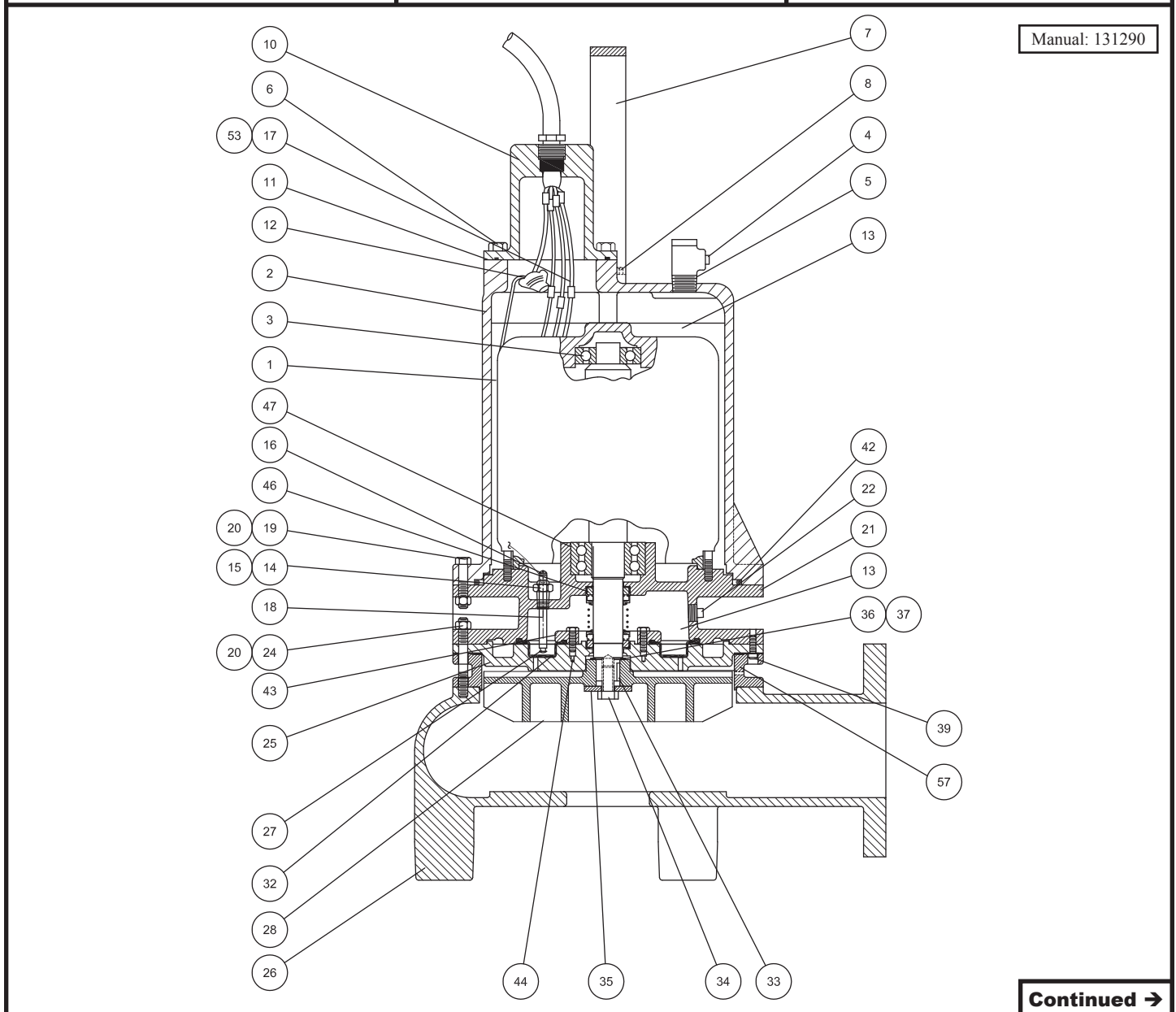


BARNES • PROSSER • CROWN SERVICE PARTS

MODEL	PART NO.	MODEL	PART NO.	MODEL	PART NO.
4SEV4596DS	142109	4SEV4524DS	140226	4SEV11364DS	140236
4SEV4546DS	142110	4SEV4564DS	140227	4SEV11334DS	140237
4SEV4556DS	142111	4SEV4534DS	140228	4SEV11344DS	140238
4SEV7596DS	142112	4SEV4544DS	140229	4SEV11354DS	140239
4SEV7546DS	142113	4SEV4554DS	140230	4SEV15034DS	140240
4SEV7556DS	142114	4SEV7524DS	140231	4SEV15044DS	140241
		4SEV7564DS	140232	4SEV15054DS	140242
		4SEV7534DS	140233		
		4SEV7544DS	140234		
		4SEV7554DS	140235		



Continued →

Series 4SEV-DS

4" Horizontal Discharge - Submersible Non-Clog Pumps
4.5 - 15HP, 1150 & 1750RPM



www.cranepumps.com

BARNES • PROSSER • CROWN SERVICE PARTS

PARTS KITS

Seal Repair Kit.....P/N-130179
Overhaul Kit.....P/N-130175
Seal Tool Kit.....P/N-085737
Pressure Gauge Kit...P/N-085343

ITEM	QTY	PART NO.	DESCRIPTION	
1	1	072692	Motor-	4SEV4524L
		072693		4SEV4534L / 4SEV4544L
		072694		4SEV7524L
		072695		4SEV4564L / 4SEV7534L / 4SEV7544L
		072697		4SEV7564L / 4SEV11364L / 4SEV11334L / 4SEV11344L / 4SEV15034L / 4SEV15044L
2	1	053030	Motor Housing	
3	1	039734	◆ Ball Bearing	
4	1	070624	Pipe Closure	
5	1	070623	Pressure Relief Valve	
6	4	1-529-1	Cap Screw,	3/8-16 x 1" Ig Stainless
7	1	036863A	S.S. Lifting Strap	
8	2	1-68-1	Cap Screw,	1/2-13 x 1-1/4" Ig Stainless
10	1	See Table 2	Conduit Box & Cable Assembly	
10a	1	----	Power Cable	(Not Sold Separately)
10b	1	072559	* Gland Nut,	(For 7.5 & 11.3Hp 3Ph & 15Hp 575V)
10c	2	071431A	* Friction Ring	(For 7.5 & 11.3Hp 3Ph & 15Hp 575V)
10d	1	071430A	* Grommet	(For 7.5 & 11.3Hp 3Ph & 15Hp 575V)
10e	1	----	* Control Cable	(Not Sold Separately)
10f	1	051448	* Gland Nut	
10g	2	021531	* Friction Ring	
10h	1	066871	*◆ Grommet	
10J	1	030169	* Ground Screw	10-32 x 5/8 Lg Stainless
11	1	051937	*◆ Square Ring	
12	5	016406	◆ Connector	
13	2.5 Gal 35 oz.	029034	Oil - Motor Housing Oil - Seal Cavity	
14	2	5-32-6	Machine Screw	6-32 x 1/4 Cad. Plt. Steel 5-32-6
15	2	052563	Lockwasher	No. 6 Steel
16	2	051487	◆ Moisture Sensor Wire	
17	4	134013	◆ Connector	(Sensor Wires)
18	2	039383	Electrode	
19	6	1-38-1	Hex Hd Screw	3/8-16 x 1.50" Ig Stainless
20	6	15-23-1	Nut	3/8-16 Stainless
21	1	039030	Bearing Bracket	
22	1	015000	Pipe Plug	
24	6	066103	Stud	3/8-16 x 3.88" Ig Stainless
25	1	039038	Seal Plate	
26	1	066292	Volute, 4SE Models	
27	2	039934	Caplug	

Order Online: www.PumpCatalog.com

Continued →

SECTION 1D
PAGE 66
DATE 4/19



PUMPS & SYSTEMS

A Crane Co. Company

USA: (937) 778-8947 • Canada: (905) 457-6223 • International: (937) 615-3598

BARNES • PROSSER • CROWN SERVICE PARTS

PARTS LIST

ITEM	QTY	PART NO.	DESCRIPTION	NOTES
28	1		Impeller Cast Iron, 1750RPM	4.5HP, 7.5HP, 11.3HP & 15.0HP
		136408TZ	7.00" Dia.	4.5HP STD
		136408TY	7.38" Dia.	7.5HP STD
		136408TX	7.88" Dia.	
		136408TW	8.00" Dia.	
		136408TV	8.13" Dia.	
		136408TU	8.25" Dia.	
		136408TT	8.38" Dia.	11.3HP STD
		136408TS	8.50" Dia.	
		136408TR	8.63" Dia.	
		136408TP	8.75" Dia.	
		136408TN	8.88" Dia.	
		136408TM	9.00" Dia.	
		136408TL	9.13" Dia.	
		136408TK	9.25" Dia.	
		136408TJ	9.38" Dia.	
		136408TH	9.50" Dia.	
		136408TG	9.63" Dia.	
		136408TF	9.75" Dia.	
		136408TE	9.88" Dia.	15.0HP STD
32	1	022873	◆◆ Diaphragm	
33	1	Q21-56-J8	◆◆ Shaft Key	1/4 Sq. x 1.00" lg. Stainless
34	1	11-81-1	◆◆ SKHD Screw	1/2-13 x 1-1/4 lg 18-8 stainless
35	1	4587-SS	◆◆ Impeller Washer,	.531 x 1.562 Stainless
36	2	001348	◆ Shim .031" x 1.5" O.D.	(Impeller)
37	2	001349	◆ Shim .010" x 1.5" O.D.	(Impeller)
39	2	036803	Soc. Hd. Cap Screw	1/4-20 x 3/4" lg Stainless
42	1	056668	◆◆ Square-Ring	
43	1	022879	Diaphragm Clamp Ring	
44	4	002203	Cap Screw	1/4-20 x 7/8" lg Steel
46	1	039485	◆◆ Shaft Seal (Both Ends)	Carbon/Ceramic/Buna-N (STD)
47	1	039332	◆ Ball Bearing	
53	5	016405	◆ Insulator	
57	1	131262	Spacer Ring	

MODELS/ LENGTHS	ITEM #10 Moist. & Temp (STD) For: 7.5 & 11.3Hp, 3Ph, 230 & 460V. and 15Hp, 575V ONLY
40 Ft. (STD)	072700XE
50 Ft.	072700XF
75 Ft.	072700XJ
100 Ft.	072700XL
150 Ft.	072700XS

Order Online: www.PumpCatalog.com

End